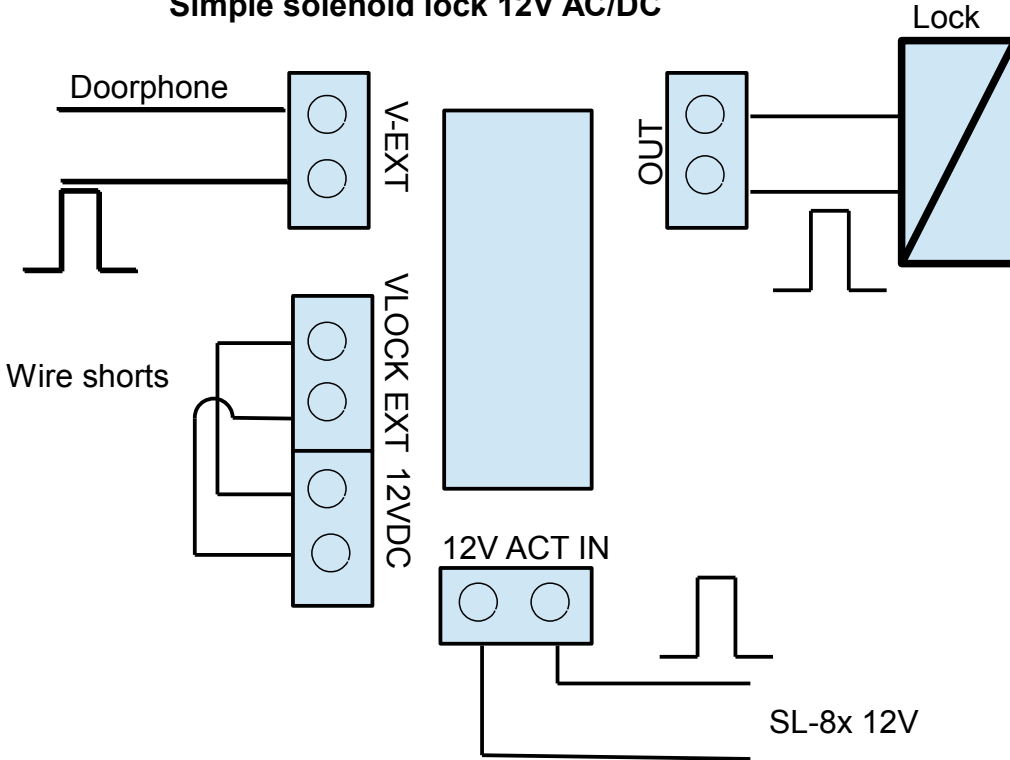
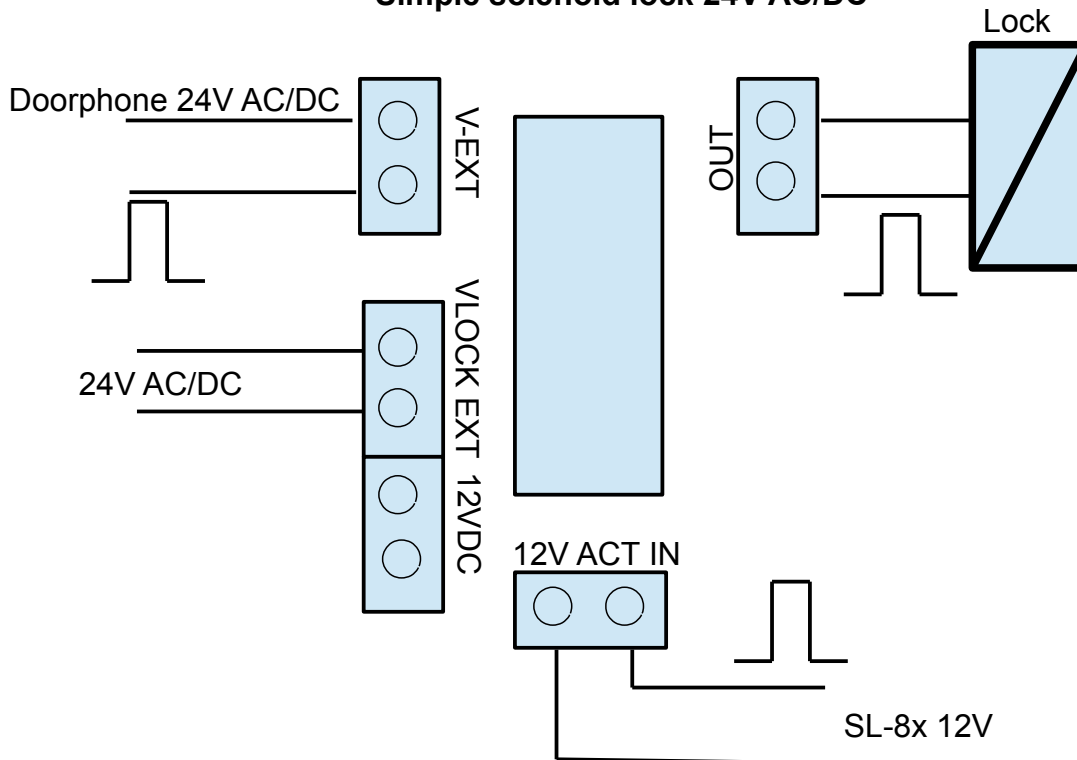


Examples: doorphone output and SL-8x output to one lock

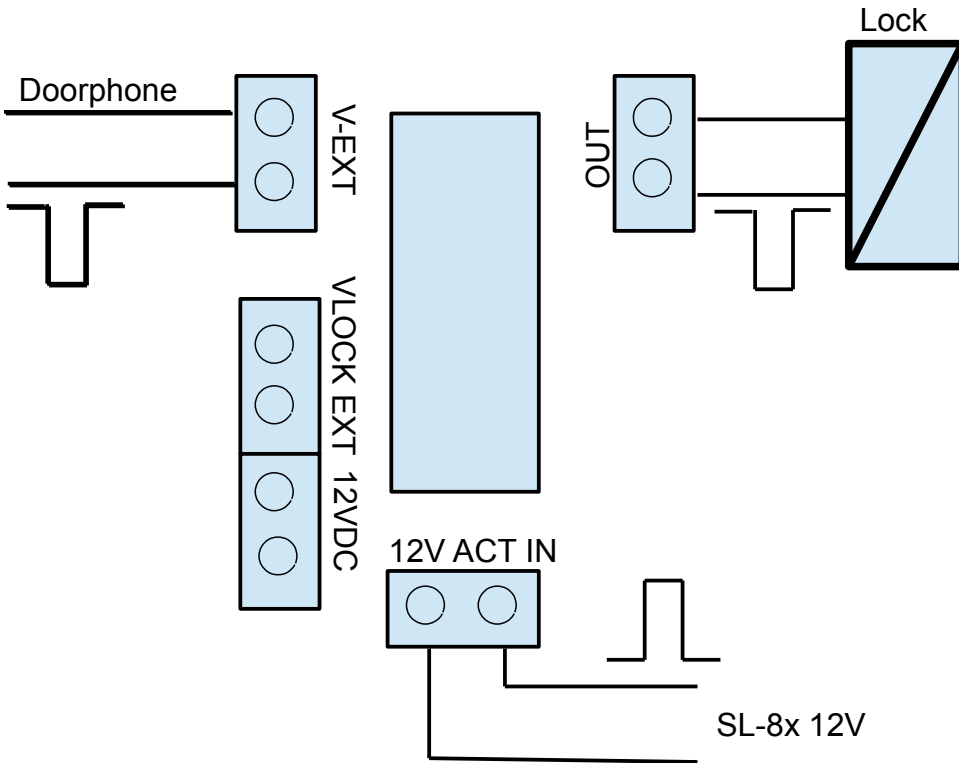
Simple solenoid lock 12V AC/DC



Simple solenoid lock 24V AC/DC



Inverse lock 12VDC / inverse (adapted) doorphone output



Inverse lock 12VDC / simple (non-adapted) doorphone output

