

CardWare d.o.o.
Auto ID
www.cardware.rs

SL-622 Manual module for SL-621
(display and manually change relay states)

Technical reference

v1.0 June 2022

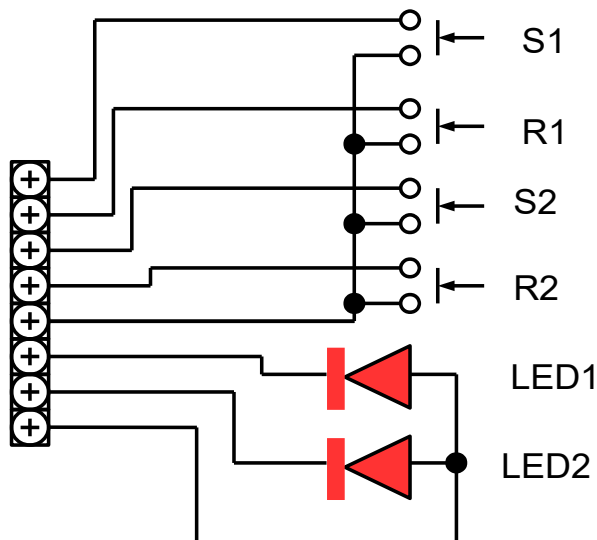
General description

The SL-622 module is an addition to the SL-621 relay module that can be mounted on a wall or desktop and enables users to see the state of the SL-621's relay outputs.

Apart from showing the state of the relays, the module enables users to change the relay states manually.

The two LEDs always show the state of the relays on the attached SL-621 but the ON/OFF pushbuttons only work if the key-switch has been turned.

The module is housed in a plastic, wall-mountable case with the following dimensions: 100x60x40mm. The cable can enter from behind or from the sides.



Note: for the sake of simplicity, the keyswitch has been omitted from the above diagram. It disconnects the common signal of the four pushbuttons from the GND pin of the 8-pin screw terminal. So, when the keyswitch is open, the pushbuttons don't work.



- The column on the left starts with the LED on top that shows the status of RL1 with the green button for ON and the red for OFF (relay 1)
- The right column is the same but for RL2
- In the middle is the keyswitch for enabling the pushbuttons

Connectors

There's only one external connector, the 8 pin screw terminal for connection to the SL-621

1. S1 (one contact of the RL1 SET pushbutton)
2. R1 (one contact of the RL1 RESET pushbutton)
3. S2 (one contact of the RL2 SET pushbutton)
4. R2 (one contact of the RL2 RESET pushbutton)
5. GND (common ground signal for all pushbuttons)
6. LED1 (LED for RL1 state, cathode)
7. LED2 (LED for RL2 state, cathode)
8. 12V (power for LEDs, connect to both LED anodes)