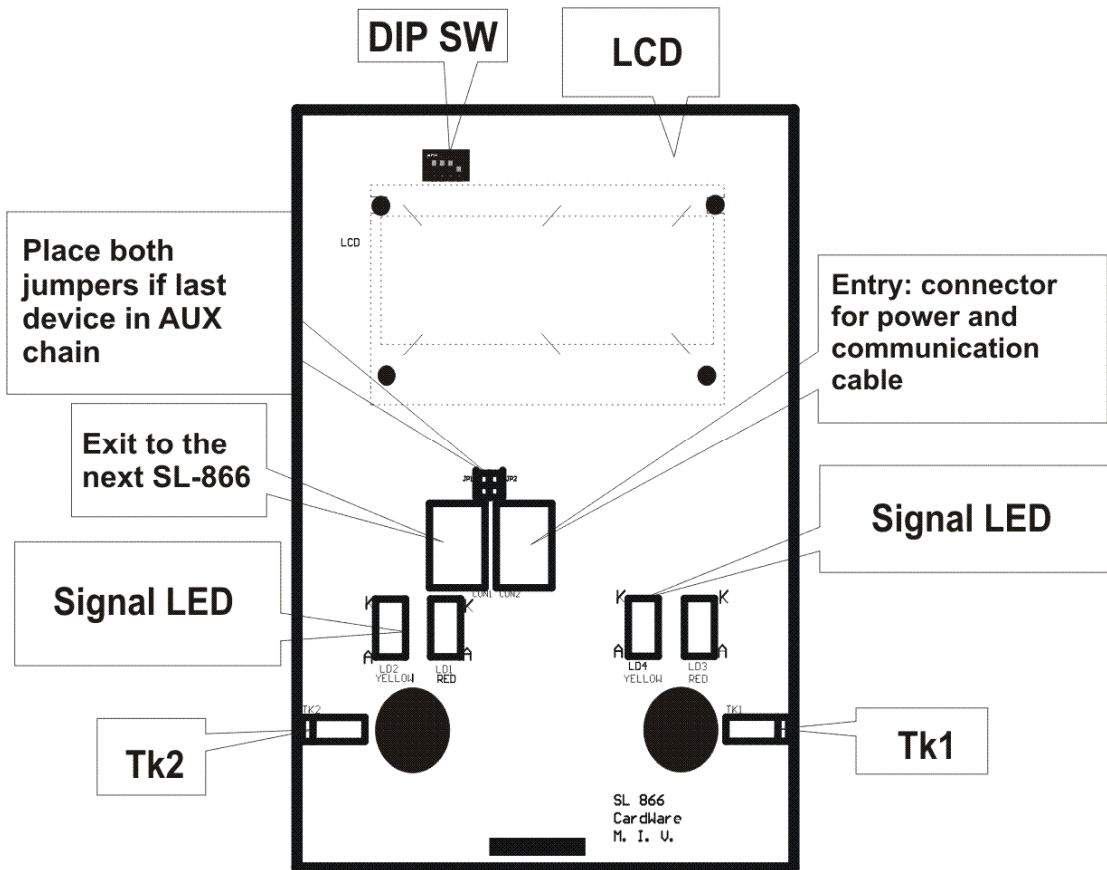


# SL-866

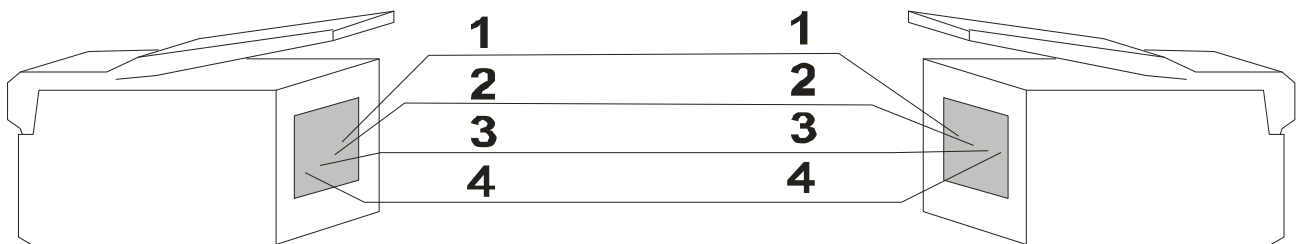
## In/Out time & attendance iButton event recorder with clock display (AUX bus)

The SL-866 is an AUX module for time & attendance applications in small companies or where the frequency of clockings allows the IN/OUT readers to be mounted on the same terminal.

SL-866 PCB

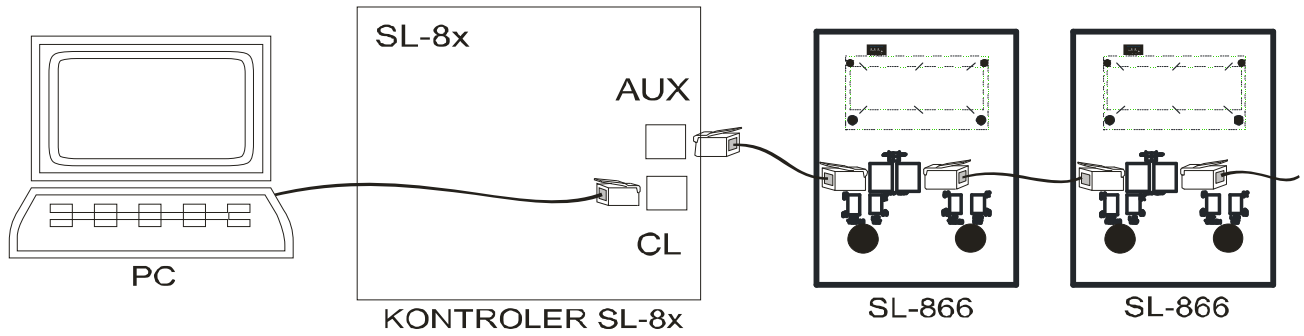


Connection using 4-wire cable



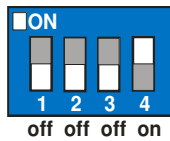
telephone plug

telephone plug



Configuration:

| SW3 | SW4 | Addr. |
|-----|-----|-------|
| On  | On  | 30h   |
| On  | Off | 31h   |
| Off | On  | 32h   |
| Off | Off | 33h   |



Switches SW3 & SW4 are used to set the AUX address, while SW1 & SW2 set the Event Code.

The SL-866 AUX address can be set in the range 30h to 33h.

Configuring the event codes:

| TK1 | TK2 | SW1 | SW2 |
|-----|-----|-----|-----|
| 0   | 1   | On  | On  |
| 2   | 3   | On  | Off |
| 4   | 5   | Off | On  |
| 6   | 7   | Off | Off |

E.g. if SW1:SW2 are On:Off, and clocking is made on TK2 (OUT), event code 3 will be generated.

Cnf8x02/Cnf0x03 is used to configure the SL-8x controller for the SL-866 just like the SL-870 i.e. two functions are needed for each SL-866:

Function 0: sending the time from the SL-8x to the SL-866 – set frequency to 5

Function 1: receive clocking data from the SL-866 – set frequency to 1